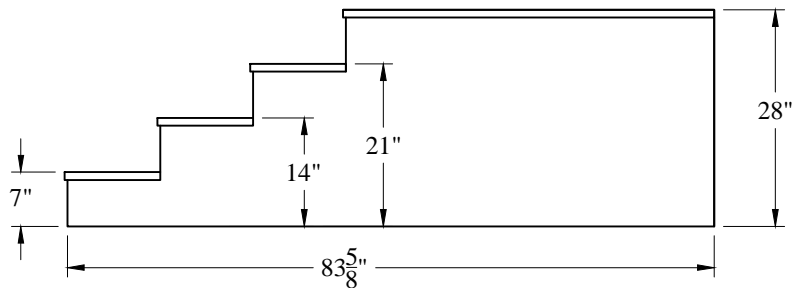
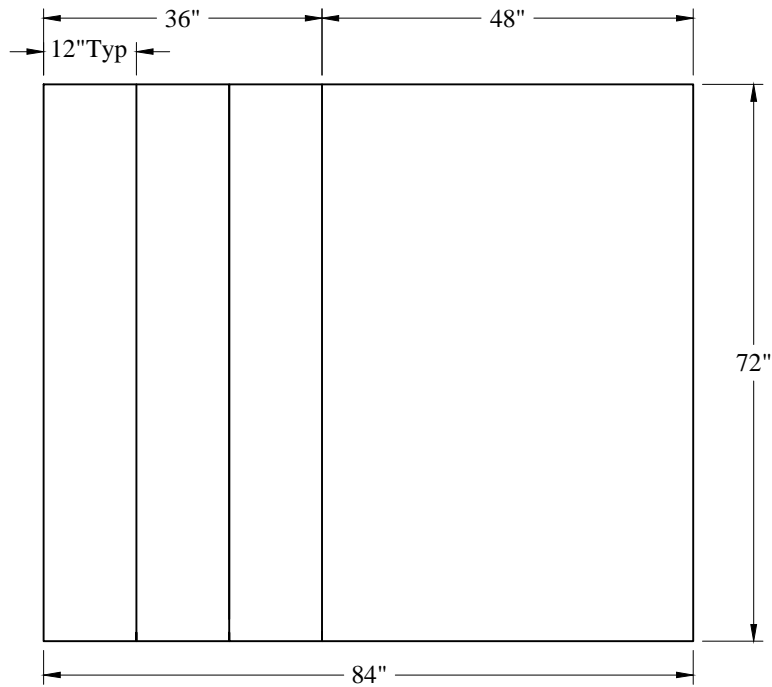


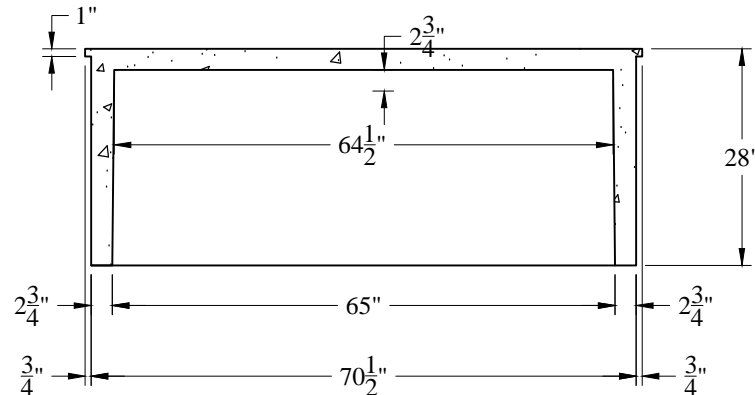
Phoenix Precast Products

Phoenix Precast Products



**GENERAL NOTES**

- 1.) Concrete  $f_c = 4,000$  psi After 28 Days Minimum
- 2.) Broom Finish Supplied
- 3.) Blocks and Angles Attached to Poured Foundation by Phoenix Precast
- 4.) Optional Concrete Slab, Sono Tubes or Compacted Crushed Gravel by Others
- 5.) Step Rise: 7"
- 6.) Standard Landing: 6' x 4'
- 7.) Tread Depth: 12"



Phoenix  
Precast  
Products

6' Wide Stair  
With 4 Risers

P/N: PS-6WX4R